

Non-Contact Temperature Measurement

MAURER - Scanner SC 1012

With the scanner equipment SC 1012 each infrared radiation thermometer of the KTR-series turns to line-scanner. Typical applications are vibrating wires, scaled forged parts, chain treatment, cables, rubber profiles, paper rolls, detection of timber, not exact directed parts, etc.

The highlights of this new scanner are: variable scann-speed and also several extending options referring to the application.



Technical data:

scann angle	: 6°
scann speed	: 2 - 12 measurements / sec.
supply voltage	: 24 V AC / DC
current input	: 200 mA
dimensions H / W / D	: 54 x 54 x 173 mm
weight	: 0.6 kg
working temperature	: 0 - 60°C
type of protection	: IP 65 (with protection window)

MAURER – Infrared - radiation thermometer can also assist you to monitor your heating processes, ensuring a uniform standard of quality for your products.

leaflet Scanner SC1012

<http://www.maurer-ir.de>

Dr.Georg Maurer
GmbH
Optoelektronik

Industriegebiet 10
D-72664 Kohlberg

Telefon +49(0)7025-9219-0
Telefax +49(0)7025-9219-20
Email: info@maurer-ir.de

SCANNER SC 1012 - standard unit -

Functions:

Adjustable scann-rate through potentiometer

Mode of operation:

continuous measurement : scann equipment working continuous

Manual measurement : start through external signal

outputs: impulse output of turning points for external signal processing

Options:

Maximum value memory 0(4)-20 mA article No. 117-2002

This option is an efficient extension for controlling problems where the temperature peak values are to record. The measured temperature value is extended as an analog-signal 0 (4)-20 mA = referring to the temperature range of the used infrared radiation thermometer.

2 "Reset"-functions are available:

- 1) external : reset through external contact
- 2) automatically: measuring value actualisation at each turning point.

Protection windows:

For sealing the scann equipment against dust and splash water are several changeable protection windows available. The selection results on the spectral range of the used infrared radiation thermometer.

article-number:	material:	spectral range :
117-2011	quartz glass	0,4 - 3 μm
117-2012	CaF ₂	0,4 - 11 μm
117-2013	ZnSe	8 - 14 μm AR

Assembly:

117-2003 connection cable scann equipment to KTR 0,5 m length
117-2005 connection cable scann equipment without connectors 2 m length
117-2004 connection cable scann equipment to AE 10XX 2 m length
116-1136 holder for KTR

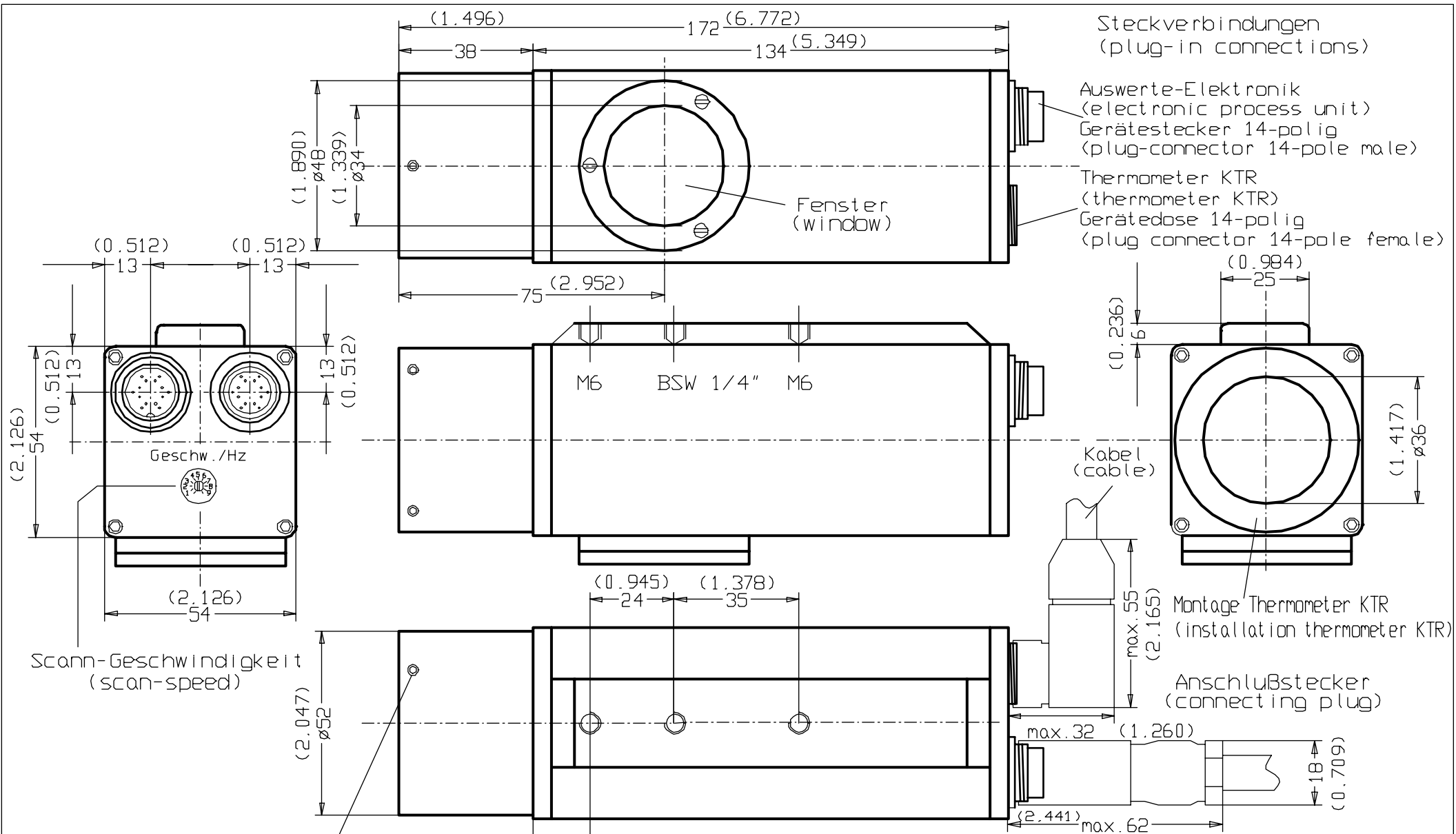
- additional assembly and indication units on request -

Dr. Georg Maurer GmbH – OPTOELEKTRONIK –

Industriegebiet 10 D-72664 Kohlberg Telefon +49(0)7025-9219-0 Telefax +49(0)7025-9219-20



Reg.-Nr.: Q1 0201014



Feststellschrauben
(locking screws)
Thermometer KTR
(thermometer KTR)

(xxx) - Maße in Zoll
(dimensions inch)

				Maßstab 1:1	
				Fa. Dr. Maurer GmbH	
		Datum	Name	STANDARDGEHÄUSE (standard case)	
		Bearb 02.11.99	Schlötterb.	SCANNER SC1012	
		Gepr			
		Norm			
				Blatt	
				Bl.	
				991101	
Zust	Änderung	Datum	Name		
		11.06.03			