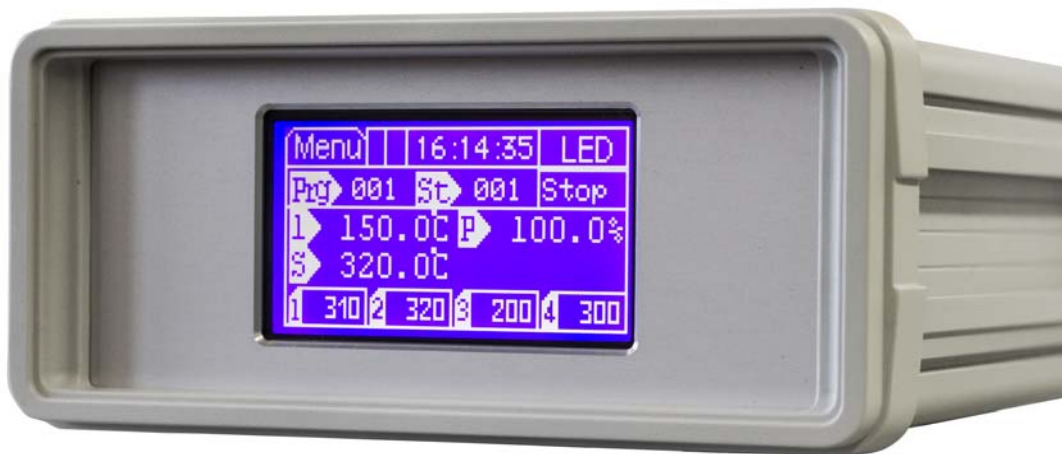


Digital Electronic Process unit Type **AED1012-PC**

for digital + analogue MAURER – INFRARED – PYROMETER

PID-program controller

500 programs, 1023 program steps



- **PID**-program controller
- Datalogger with real-time clock
- **Touchpanel** multilingual
- ultra-fast sampling rate 50µsec
- Temperature display 6-digit °C / °F
- automatical scaling with digital pyrometer
- Parameter setting of pyrometer without PC
- digital pyrometer-interface RS232 or RS485
- **USB 2.0** for PC-connection
- 4 separate adjustable switching-output with opto relais
- power supply 80-305 VAC
- voltage supply for pyrometer

MAURER – Infrared – pyrometer can also assist you to monitor your heating processes, ensuring a uniform standard of quality for your products.

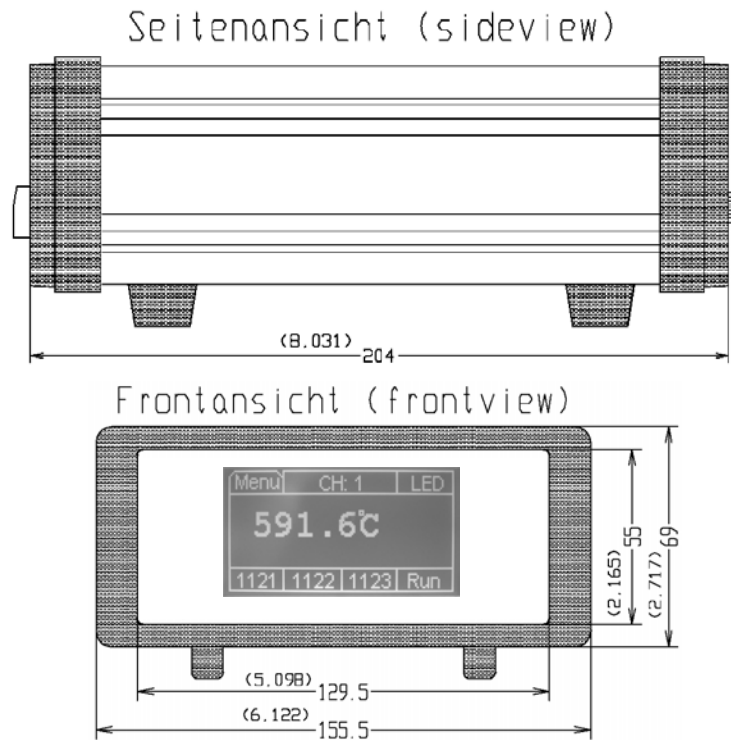
leaflet AED1012-PC

<http://www.maurer-ir.de>

Dr. Georg Maurer
GmbH
Optoelektronik

Industriegebiet 10
D-72664 Kohlberg

Telefon +49(0)7025-9219-0
Telefax +49(0)7025-9219-20
Email: info@maurer-ir.de

Dimensions:

The AED1012-PC is free programmable either by using the touchpanel or also with software IR-LOG. All MAURER-digital pyrometer are directly full configurable without PC

Technical data:

Pyrometer interface	: RS232 reversible RS485
Computer interface	: USB 2.0
	: Datalogger with USB mass storage device, real-time clock
Input actual value	: current loop pyrometer (0-20 mA or 4-20 mA / input impedance 20R)
Temperature indication	: 6- digit programmable, adjustable display rate 100ms – 10sec.
Sampling time	: 50µsec
Programs	: 500
Program steps	: 1023
Program step length	: 1ms up to 3600ms
PID parameter	: xp:1-1000%, ti:0,1-9999ms, td: 0,1-9999ms, P: 0-100%
Set value	: program or manual or external 0–10 V or 2-10 V
Controller output	: 0 (4) – 20mA + 0 – 10 V
Measuring range	: scaleable from -50°C up to 4000 °C for analogue pyrometer
Measuring range	: automatical scaling for digital pyrometer
Switching outputs	: setpoints adjustable within measuring range
	: 4 x optorelais with changeover contacts each 60 VAC / 100mA
	: 1 x optorelais pyrometer limit
Switching hysteresis	: adjustable between 0-50°C
Response time	: 2ms
Operating temperature	: 0 - 60 °C
Stock temperature	: -10 °C - +70°C
Mains supply	: 80-305 V AC
Current input	: max. 250mA / AC
Power supply pyrometer	: + 24V / 300 mA (D-SUB)
Signal outputs	: through screw terminal
Weight	: 1,3 kg
Case colour	: frame RAL 7030, lid + U-profiles RAL 7032

Options:

- PROFIBUS, PROFINET, Ethernet
- 2. pyrometer connection through RS232
- fixing angle for panel-installation
- additional current output 0(4)-20mA
- connection facility: up to 6 pyrometer through RS485
- unit holder (for mounting at a wall, ceiling, swing panel)

Dr. Georg Maurer GmbH – OPTOELEKTRONIK –

Industriegebiet 10 D-72664 Kohlberg Telefon +49(0)7025-9219-0 Telefax +49(0)7025-9219-20

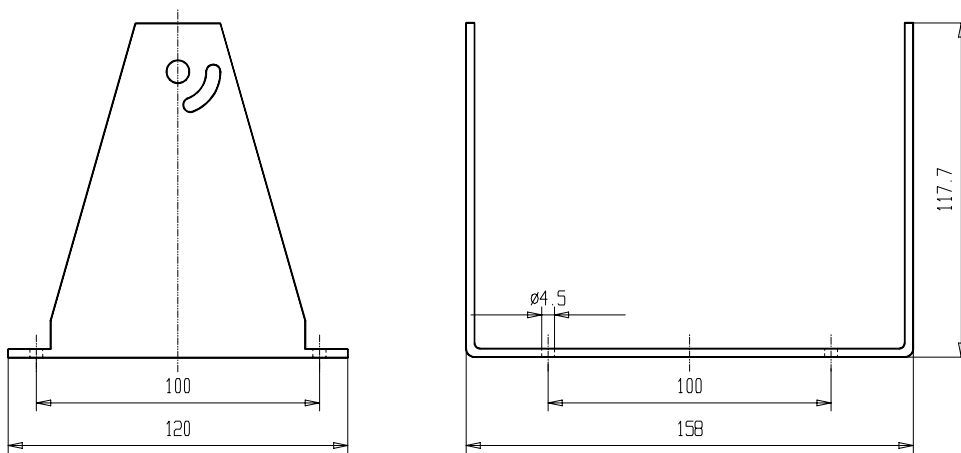


Reg.-Nr.: Q1 0201014

Assembly for electronic process unit - type AE10XX

1. case stator

- **Description** : stator with powder coated 3-mm-aluminium plate (RAL7032, grey) .
mounting in the slots beside the unit.
45 °- swinging of the unit around the horizontal axis is possible .
- **Application** : For mounting at a wall, ceiling, swinging arm,
With rubber feet also for a table use suitable .
- **Dimensions**:



2. Mounting angle for switchboard installation

- **Description** : 2 mounting angles of 3mm aluminium plate .
Put in the angles in the slots beside the unit case .
positioning and fixing with 2 screws M4 x 6 .
- **Application** : With angles it is possible to install the unit in switchboards,...
- **Dimensions** :

